

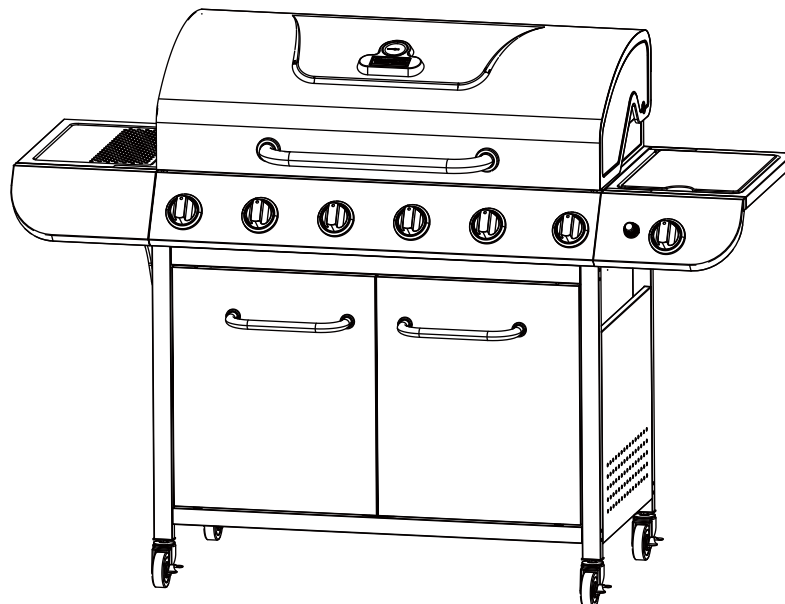


Customer Service
1-800-618-6798

ASSEMBLY GUIDE

Model: SG6002

Series No.: 0919-F



Classic 6-Burner Propane Gas Grill with Side Burner

FOR YOUR SAFETY!

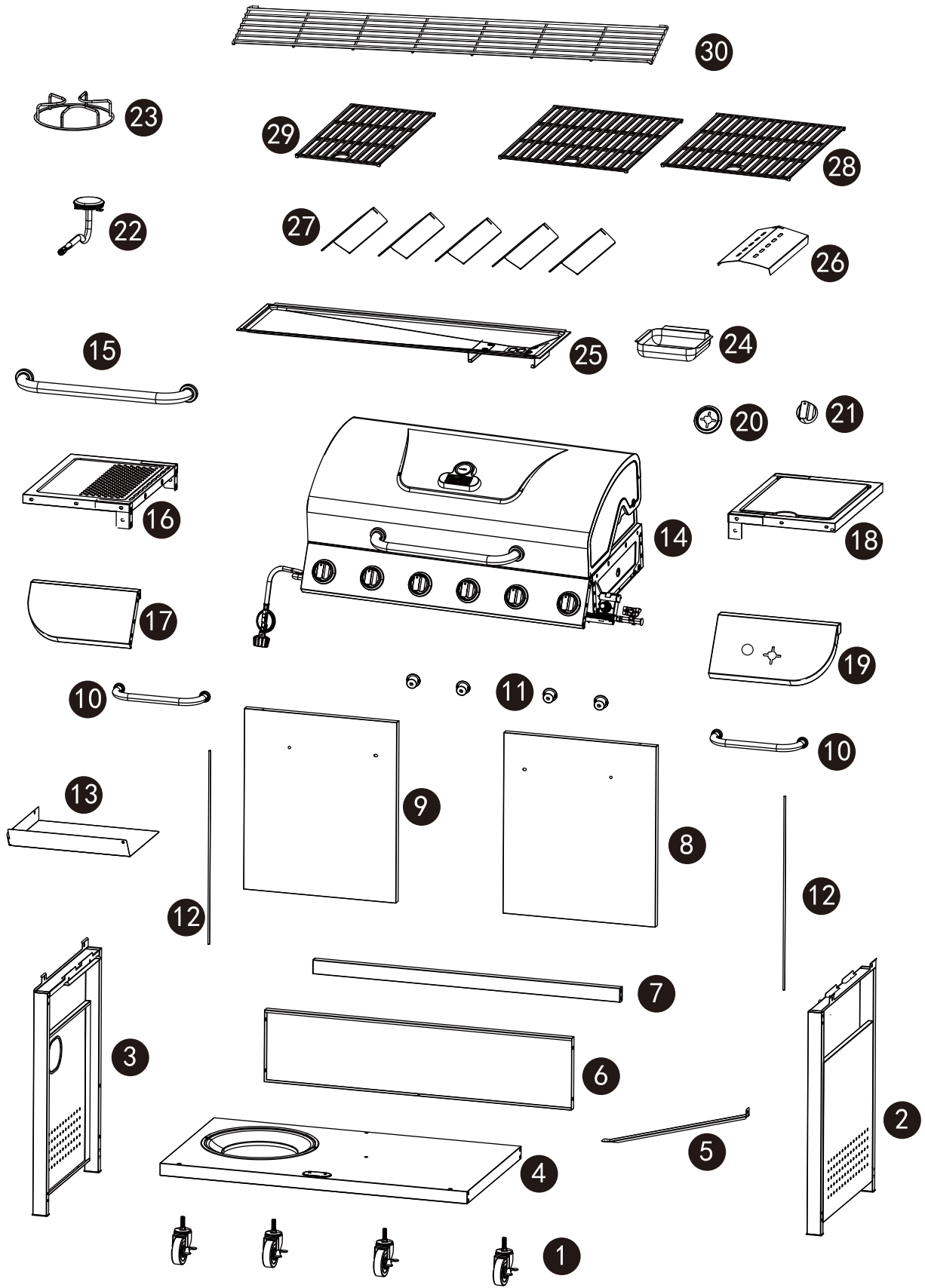
Use outdoors only! Do not use it inside a building, garage, or any other enclosed space.
Read the instructions before assembling and using the appliance.
DO NOT use the grill unless it is completely assembled, and all the parts are securely fastened.
This grill will become very hot, do not move it during use. Keep away from children and pets.

CONTACT US FIRST!

This grill has been made to high quality standards.
If you have any questions that are not addressed in this Owner's Manual, or you need parts, please call our customer service hotline or send an email to service@royalgourmetusa.com
Please keep this Owner's Manual for future reference.

Learn more at:

www.royalgourmetcorp.com



Parts and Hardware List

Ref	Description	Illustration	QTY	Ref	Description	Illustration	QTY
1.	Caster W-GD401103		4	16.	Side table EHCTA		1
2.	Right side panel H-LG600008		1	17.	Side table decoration board ECTDXZSJL(Z-52930028)		1
3.	Left side panel H-LG600010		1	18.	Side burner shelf EHBLA		1
4.	Bottom shelf Z-LG600039		1	19.	Side burner decoration board Z-LG600057		1
5.	LP tank barrier bar Z-LG600029		1	20.	Knob base W-20120007		1
6.	Rear panel Z-LG600045		1	21.	Knob W-20120006		1
7.	Cart front beam H-LG600009		1	22.	Side burner W-LG600011		1
8.	Right door Z-LG600034		1	23.	Side burner grate GJ001 (W-20130033)		1
9.	Left door Z-LG600033		1	24.	Grease cup Z-GD800109		1
10.	Door handle W-53650003		2	25.	Grease tray Z-GD401118+Z-GD401119 +Z-GD401120		1
11.	Handle sleeve W-A0402		4	26.	Flame tamer (big) Z-LG600012		1
12.	Door axle W-A3B23006		2	27.	Flame tamer (small) ELT1DHB		5
13.	Thermal baffle Z-LG600047		1	28.	Cooking grate (big) KW401 (W-52930003)		2
14.	Main body		1	29.	Cooking grate (small) KW400 (W-52930002)		1
15.	Lid handle W-A3B25001		1	30.	Warming rack W-LG600019		1

A	M5x55	12pcs	B	M5x10	35pcs	C	M4x8	6pcs	D	Base	2pcs	E	Magnet	1pc
F	M6x15	6pcs	G	M5x12	2pcs	H	Washer	8pcs						

Before beginning assembly, make sure all parts are present. Compare parts with packaged contents list and diagram above. If any parts are missing or damaged, do not attempt to assemble the products. Contact customer service for replacement parts via telephone or email.



Phillips screwdriver



Wrench

- Estimated assembly time: 40 minutes
- Tools required for assembly:
Phillips Screwdriver (not included) and Wrench (not included)
- Note: The right and left sides of the grill are designed as if you are facing the front of the grill.

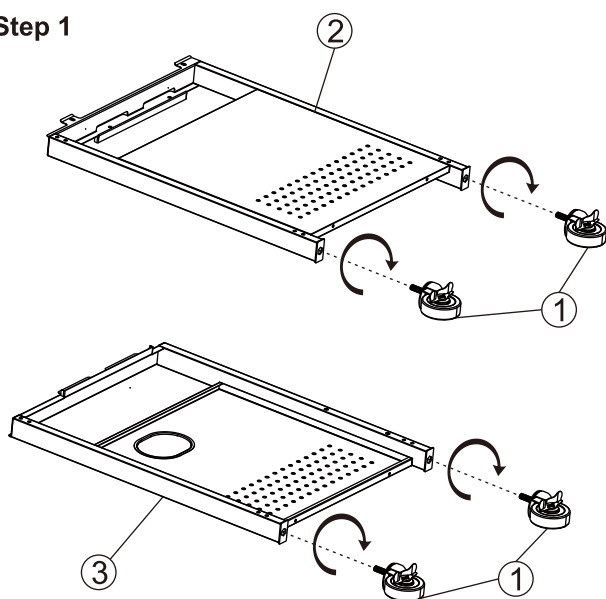


CALIFORNIA PROPOSITION 65 WARNING

1. Fuels used in gas burning appliances and the combustion byproducts of such fuels, can expose you to chemicals including carbon monoxide, which is known to the State of California to cause birth defects or other reproductive harm.
2. This product can expose you to chemicals including nickel, which is known to the State of California to cause cancer. Handling the brass material on this product can expose you to lead, a chemical known to the State of California to cause cancer, birth defects, or other reproductive harm.

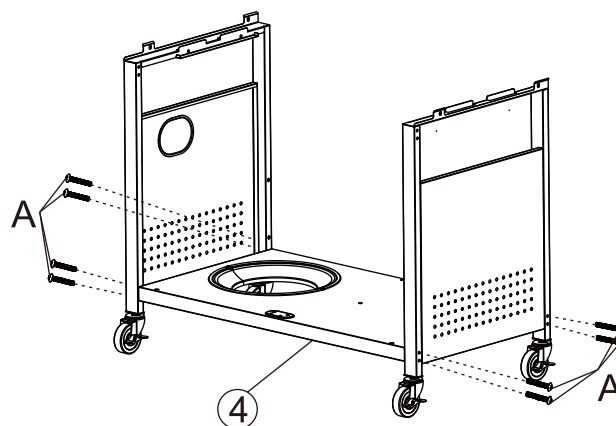
For more information visit: www.P65Warnings.ca.gov

Step 1



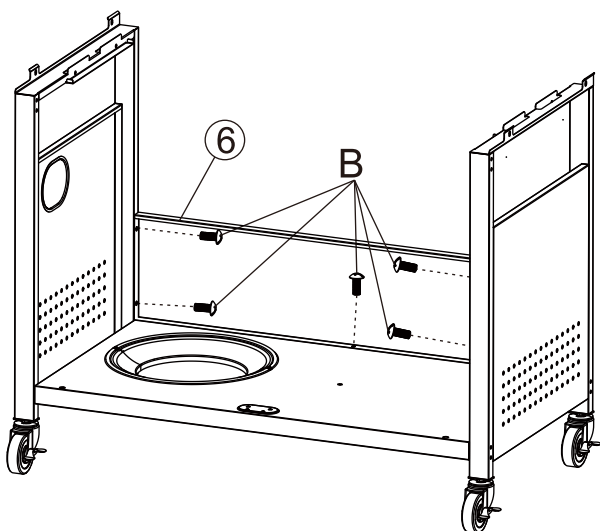
Assemble the casters (1) to the side panels (2), (3) by twisting clockwise until tightened.

Step 2



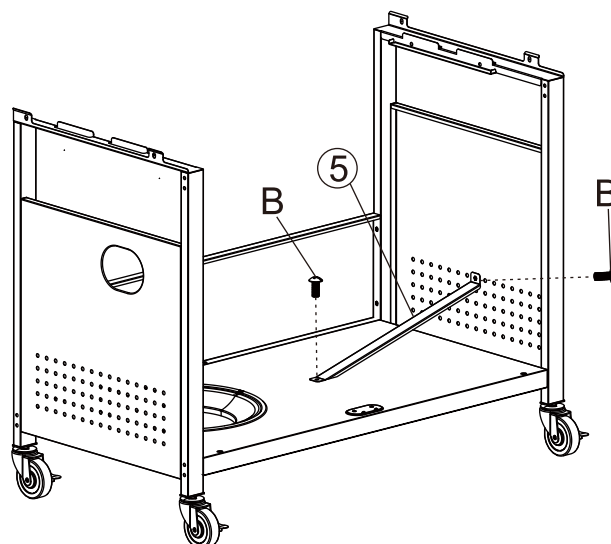
Assemble the side panels to the bottom shelf (4) with 8 bolts (A) as shown.

Step 3



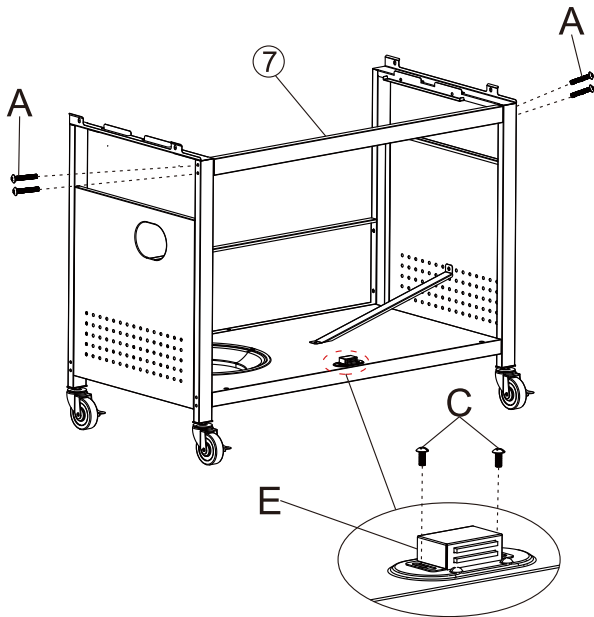
Assemble the rear panel (6) by attaching it to the side panels and the bottom shelf, then secure it with 5 bolts (B).

Step 4



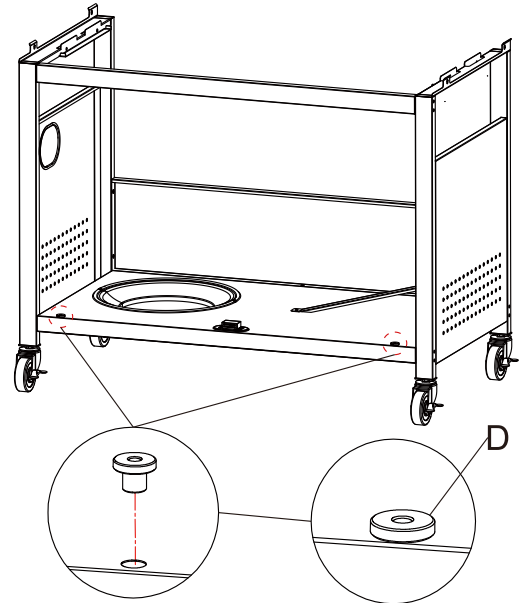
Fasten one end of the LP tank barrier bar (5) to the right panel (2) as shown, and secure the other end to the bottom shelf (4) with 2 bolts (B).

Step 5



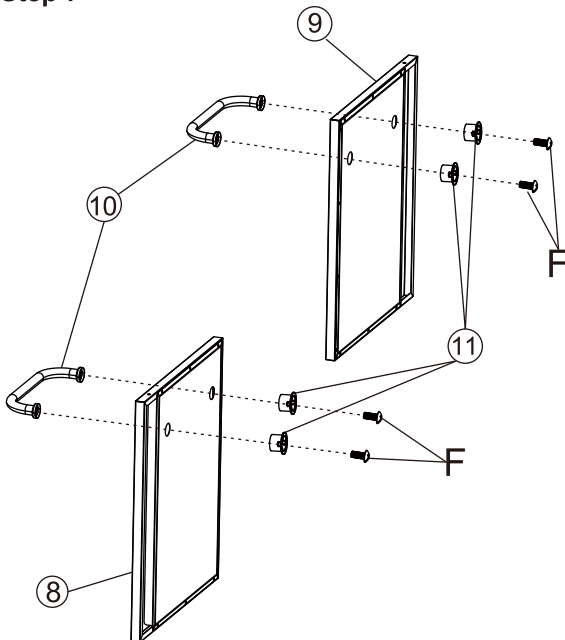
Assemble the cart front beam (7) to the side panels with 4 bolts (A).
Fasten the magnet (E) to the bottom shelf with 2 bolts (C) as shown.

Step 6



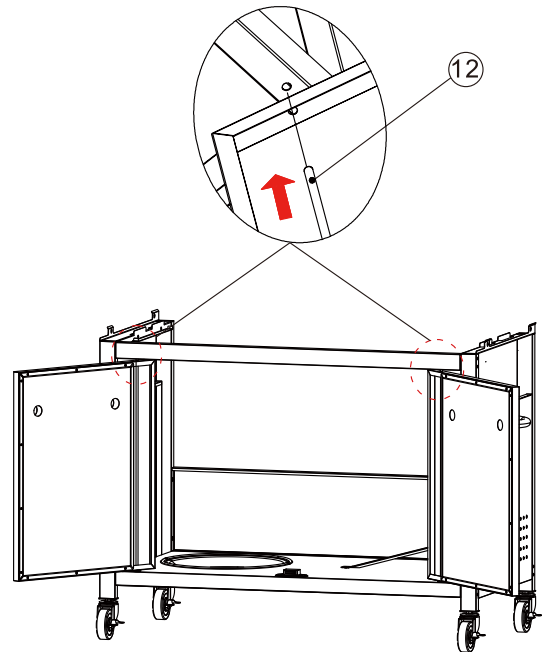
Insert the sleeves (D) into holes at the bottom shelf as shown.

Step 7



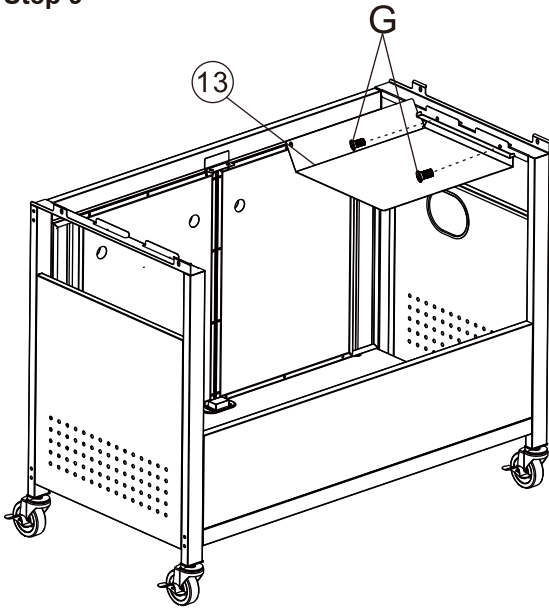
Assemble the door handles (10) and door sleeves (11) to the doors (8), (9) with 4 bolts (F).

Step 8



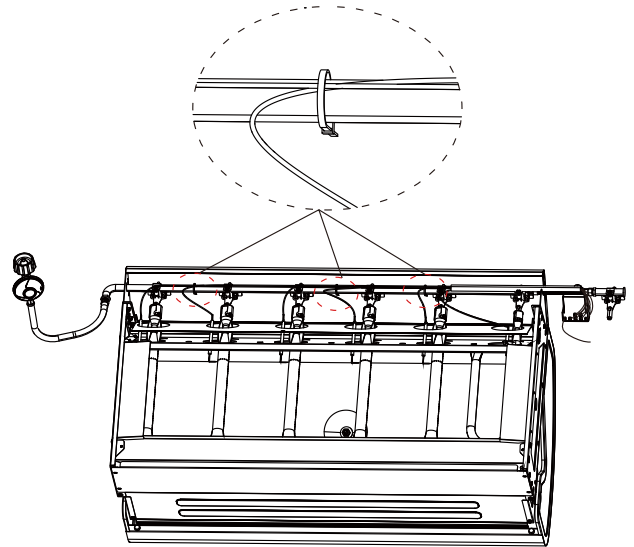
Install the doors to the cart by inserting one end of the door axes (12) into the holes on the cart front beam, and the other end into the sleeves on the bottom shelf.

Step 9



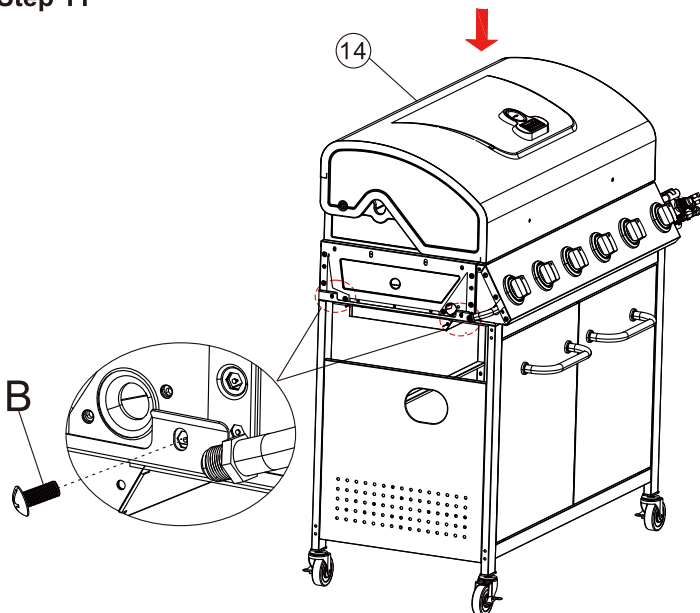
Assemble the thermal baffle (13) to the left side panel with 2 bolts (G).

Step 10



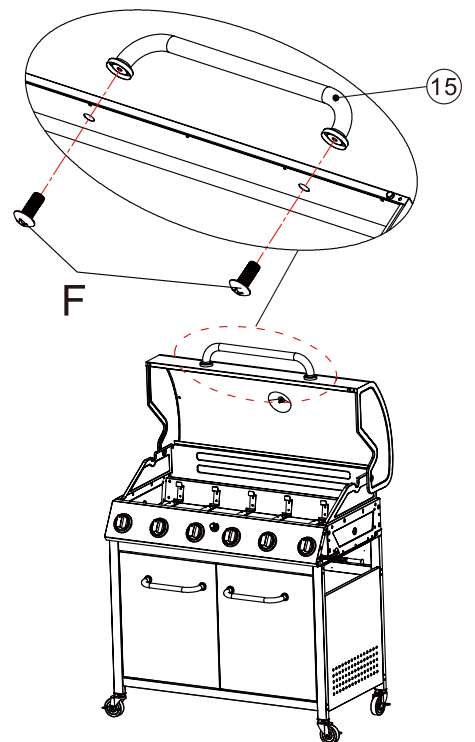
Please note: Do not detach three straps here.

Step 11



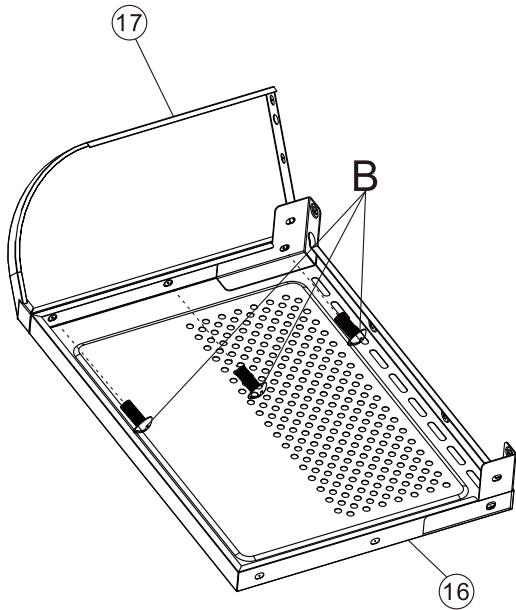
Remove the packaging film from the hose and the regulator under the control panel (cut by scissors). Place the main body (14) on the cart, and secure with 4 bolts (B).

Step 12



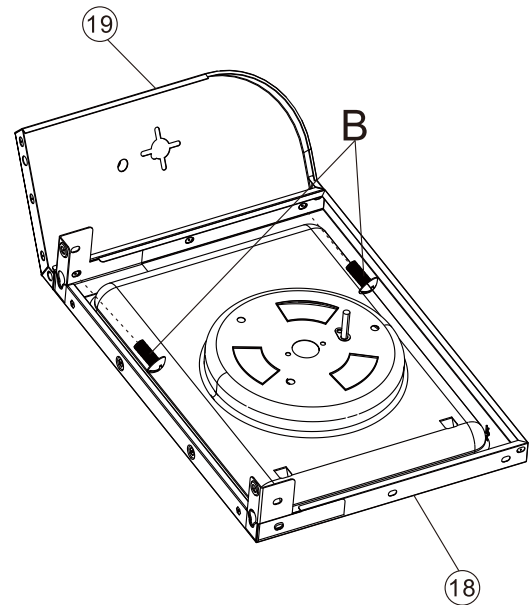
Assemble the lid handle (15) to the lid with 2 bolts (F).

Step 13



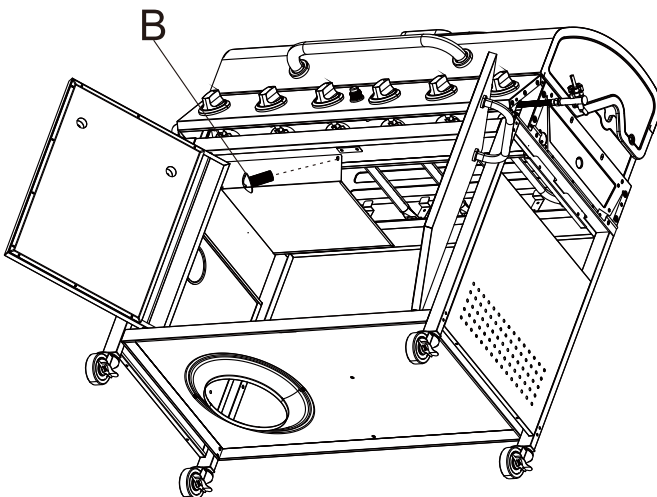
Assemble the side table decoration board (17) to the side table (16) with 3 bolts (B).

Step 14



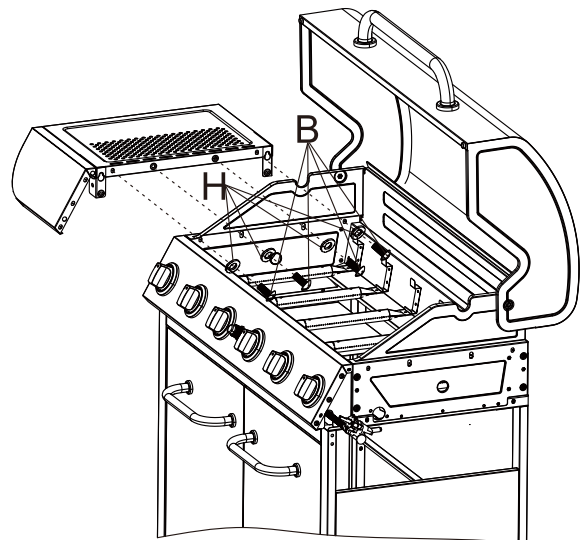
Assemble the side burner decoration board (19) to the side burner shelf (18) with 2 bolts (B).

Step 15



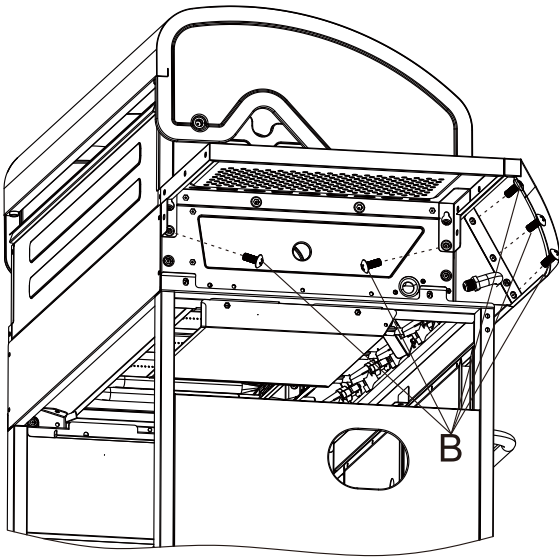
Fasten the thermal baffle (13) to the cart front beam with 1 bolt (B).

Step 16



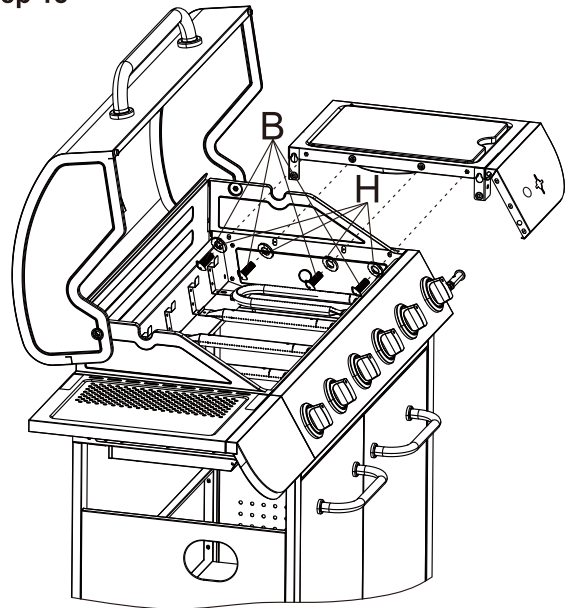
Attach the parts assembled in step 13 to the four holes on the left side of the grill, and secure from inside of the main body with 4 washers (H) and 4 bolts (B).

Step 17



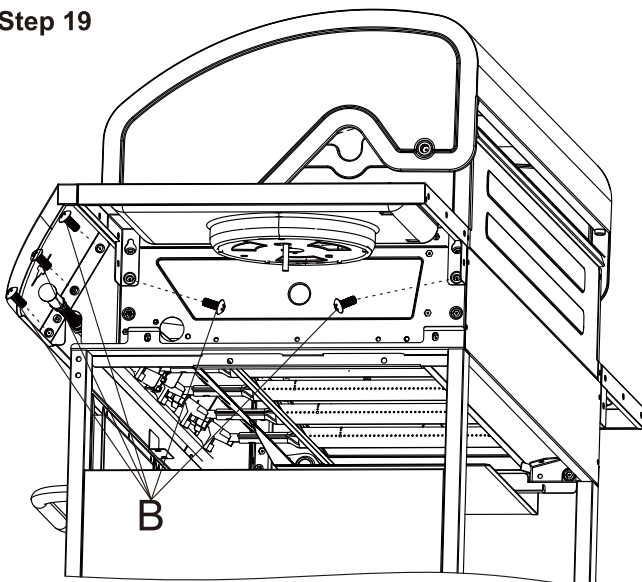
Secure the parts from outside of the main body with another 5 bolts (B) under the shelf.

Step 18



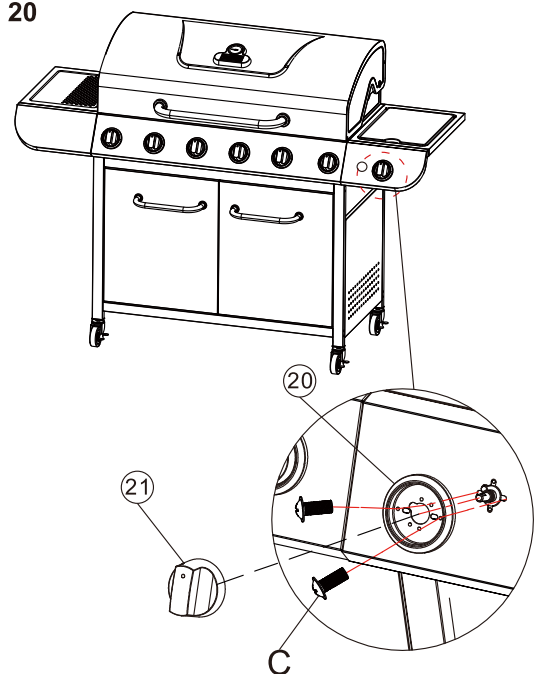
Attach the parts assembled in step 14 to the four holes on the right side of the grill, and secure it from the inside of the main body with 4 washers (H) and 4 bolts (B).

Step 19



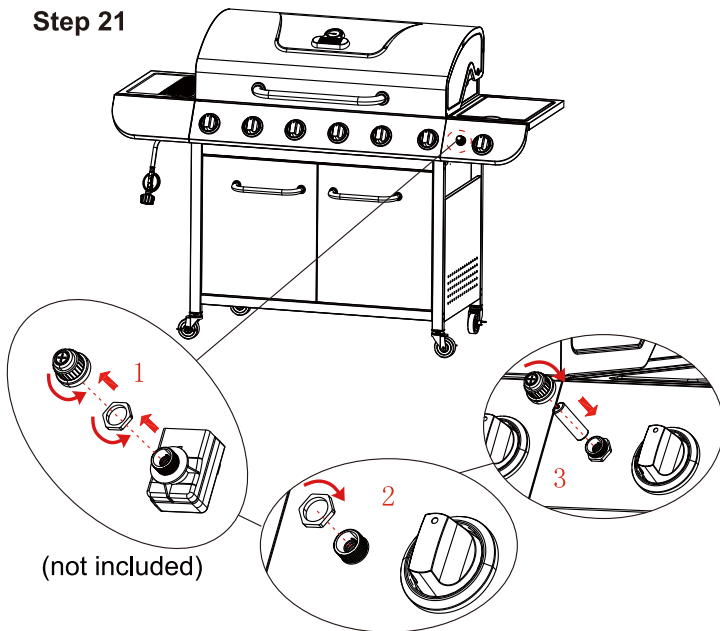
And secure the parts from outside of the main body with another 5 bolts (B) under the shelf.

Step 20



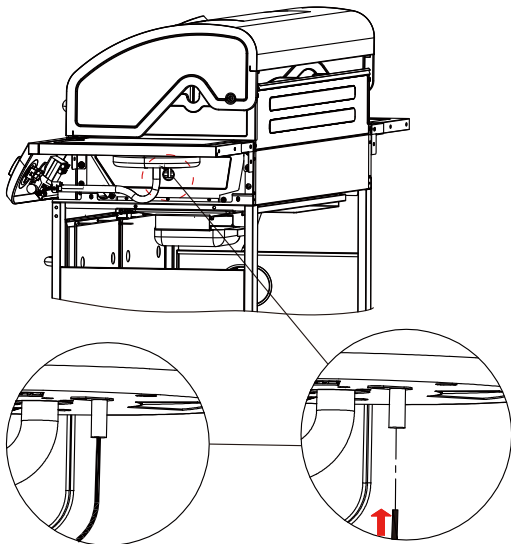
Assemble the knob base (20) to the side burner decoration board with 2 bolts (C), then insert the knob (21).

Step 21



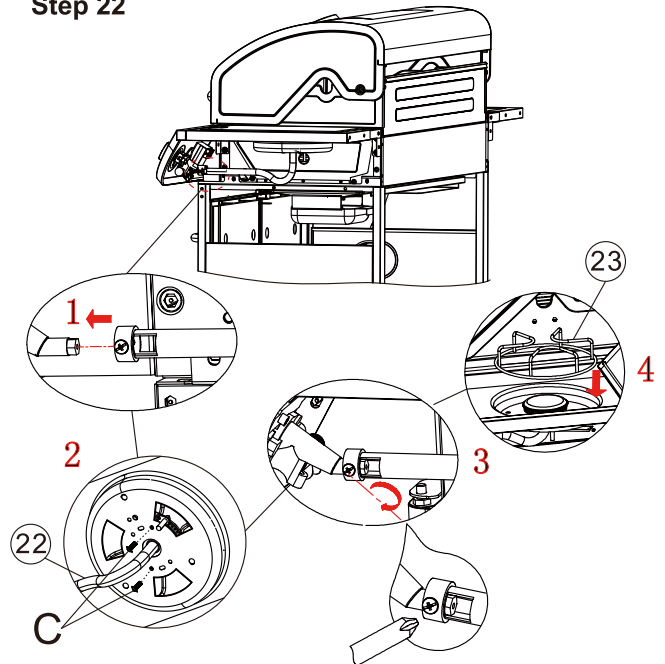
1. Unscrew the igniter cap and the nut from the igniter by twisting anticlockwise.
2. Insert the igniter into the hole from the back of the side burner decoration board. Fasten the igniter by twisting the nut clockwise from the front.
3. Insert the battery into the igniter and cover it by twisting the igniter cap clockwise.

Step 23



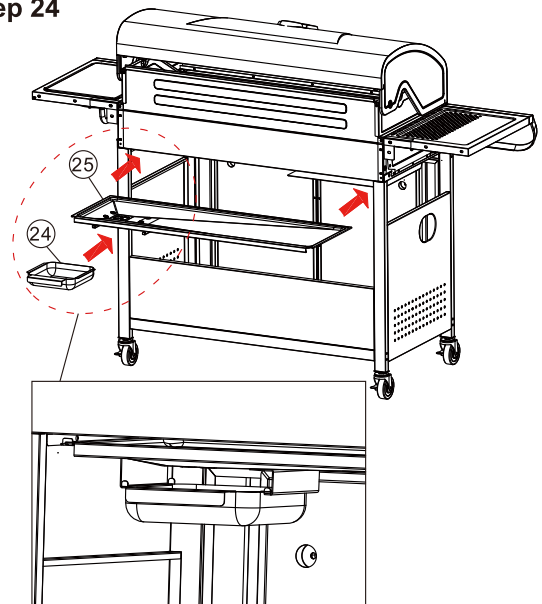
Insert the ignition match into the electrode port as shown.

Step 22



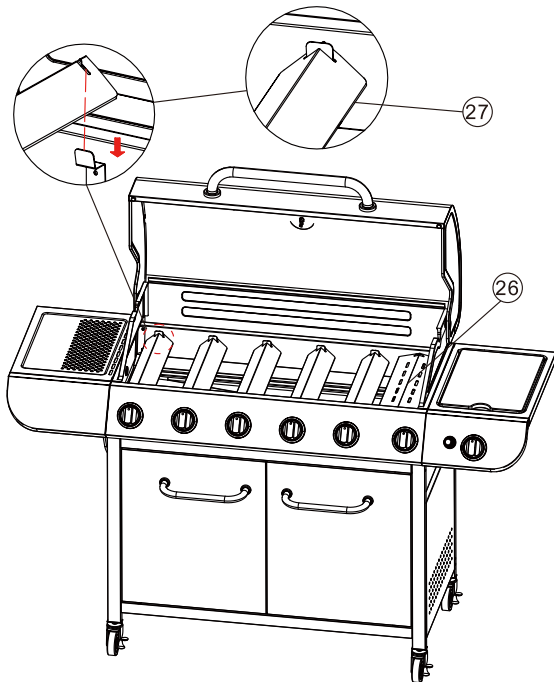
1. Unscrew the side burner valve below the side burner shelf.
2. Insert the side burner (22) through the side burner shelf, and tighten it with 2 bolts (C) beneath the shelf.
3. Connect the side burner orifice with the valve.
4. Place the side burner grate (23) above the burner.

Step 24



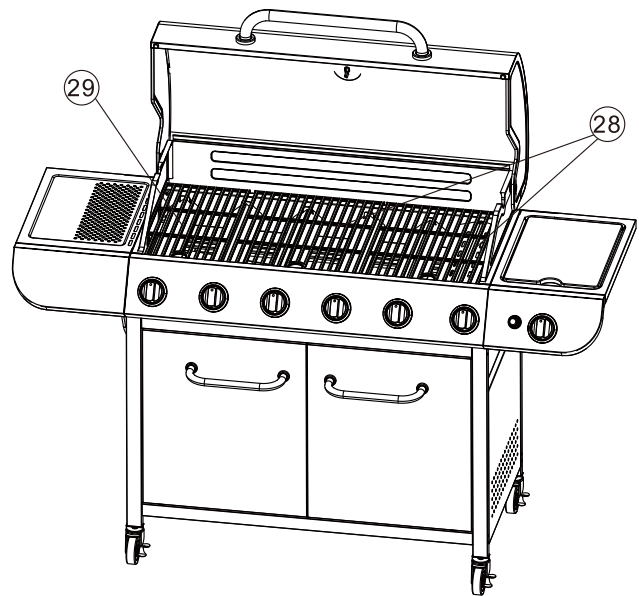
Slide in the grease tray (25) underneath the main body. Slide in the grease cup (24) underneath the grease tray as shown.

Step 25



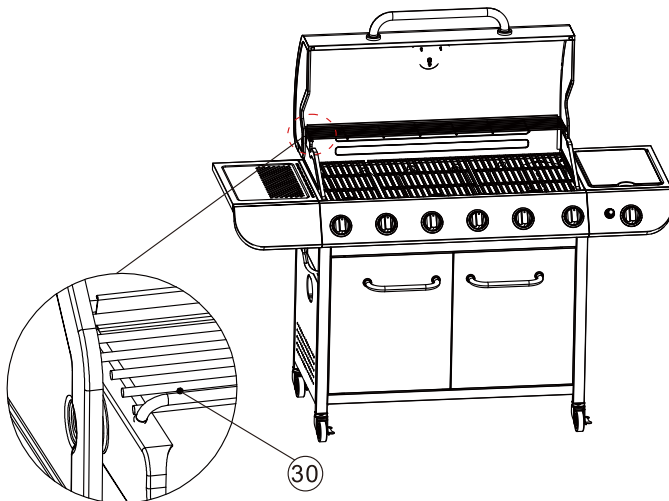
Place the flame tamer (26) into the firebox. Place the flame tamers (27) into the firebox by attaching the slots of them to the buckles in the firebox as shown.

Step 26



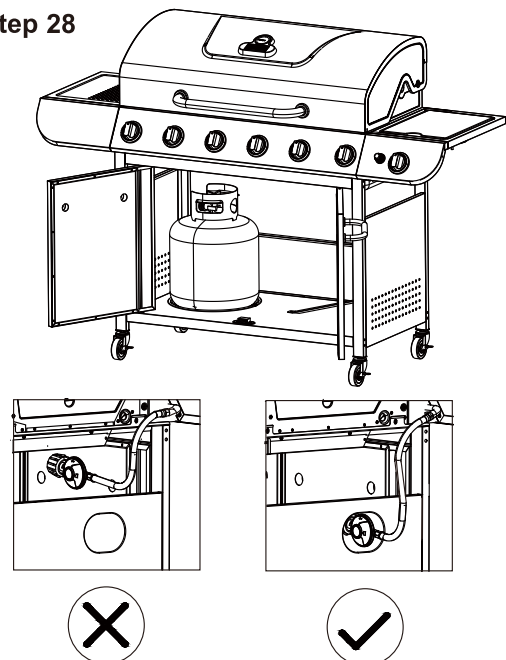
Place the cooking grates (28), (29) into the grill body.

Step 27



Attach the warming rack to the relative holes on the main body as shown.

Step 28



Place the LP tank into the nesting hole located in the bottom shelf. Pass the regulator through the hole on the left panel and connect it to the LP tank valve by twisting anticlockwise.